

⊙ **XP020**



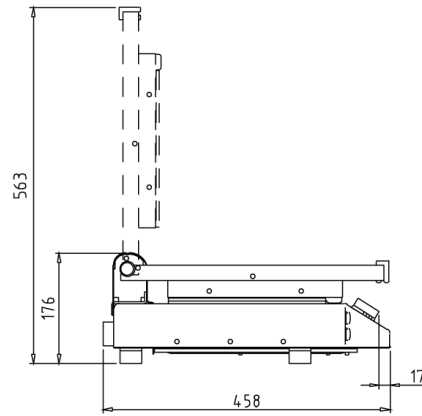
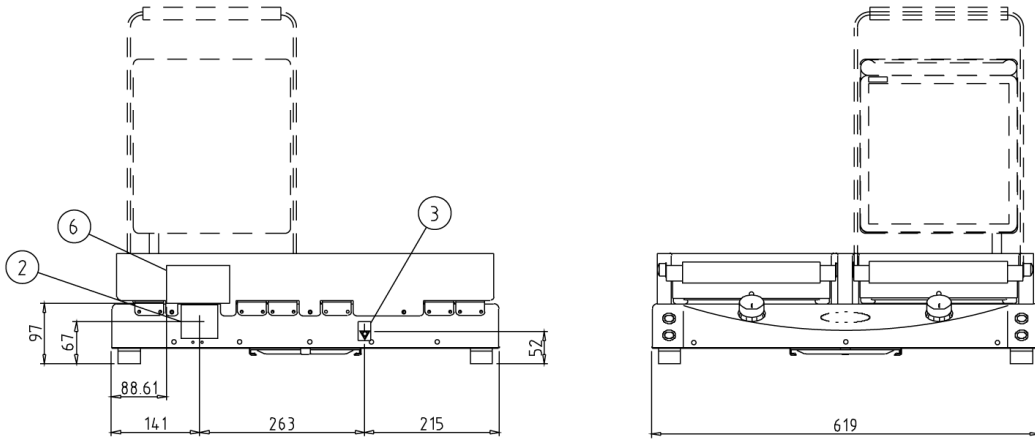
**XP020**

Frequency  
Voltage  
Electrical power  
Plate Dimensions  
Dimensions  
Weight

50 / 60 Hz  
230 V~ 1N  
2.0 kW  
N° 2 250x250mm  
619x176x458 mm  
17 kg



SpidoCook™





**SpidoCook™**

---